

TR series

Tiny washable rocker switches

Distinctive features and specifications

UG1410A



Sealed

- Single piece case
- O-ring seal between actuator and bushing
- Epoxy sealed terminals

Wide variety of contact materials

Same PCB layout as tiny toggle (TL), pushbutton (TP) and slide switches (TG)

ELECTRICAL SPECIFICATIONS

- Max. current/voltage rating with resistive load :
 - gold plated contacts : 0,4VA 20V max. AC or DC
 - silver plated contacts : 0,5A 48V max. AC or DC
- Minimum load : 10mA 50mV - 10 μ A 5VDC
- Contact resistance : 20 m Ω max.
- Insulation resistance : 1.000 M Ω min. at 500VDC
- Dielectric strength :
 - 1.000 Vrms 50 Hz min. between terminals and frame
 - 500 Vrms 50 Hz min. between terminals
- Electrical life at full load :

Contacts	Number of cycles	
	2 positions	3 positions
Gold plated	60.000	30.000
Silver plated	20.000	10.000

MATERIALS

- Case : PBT
- Actuator : polyamide
- Contacts and terminals :
 - 0 : brass, gold plated
 - 1 : brass, silver plated
 - 3 : brass, gold plated (1,27 micron gold)
 - 8 : contact brass, gold plated + tin plated terminals
 - 9 : contact brass, gold plated (1,27 micron gold) + tin plated terminals
- Terminal seal : epoxy

GENERAL SPECIFICATIONS

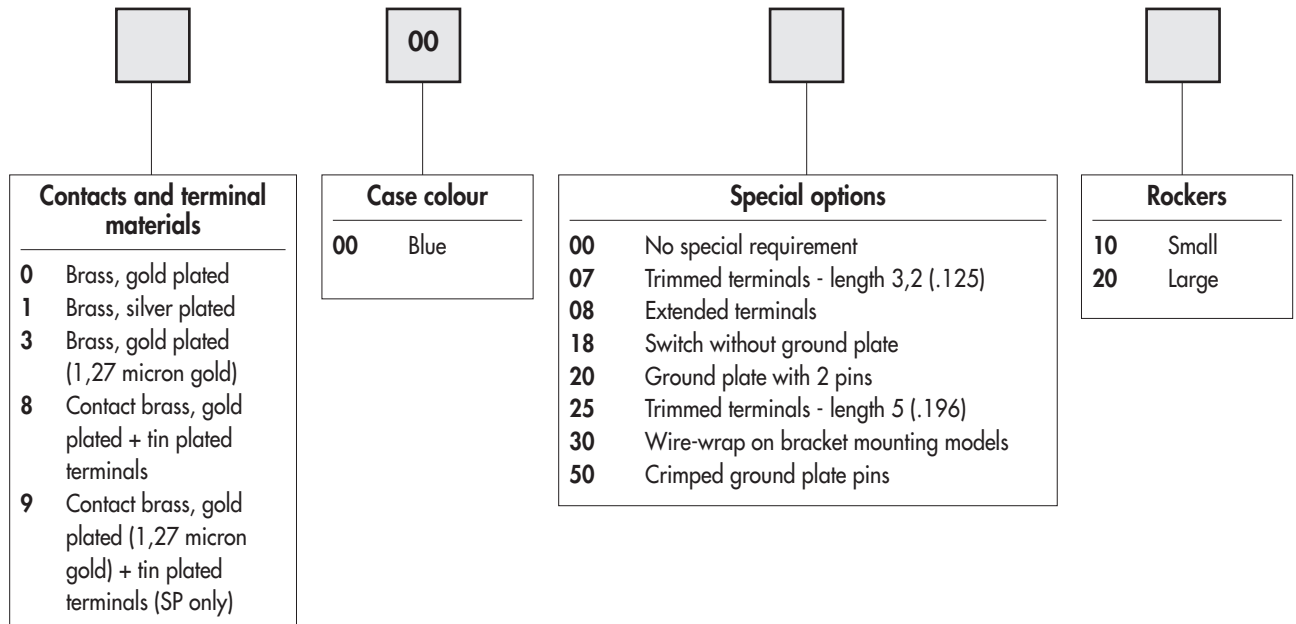
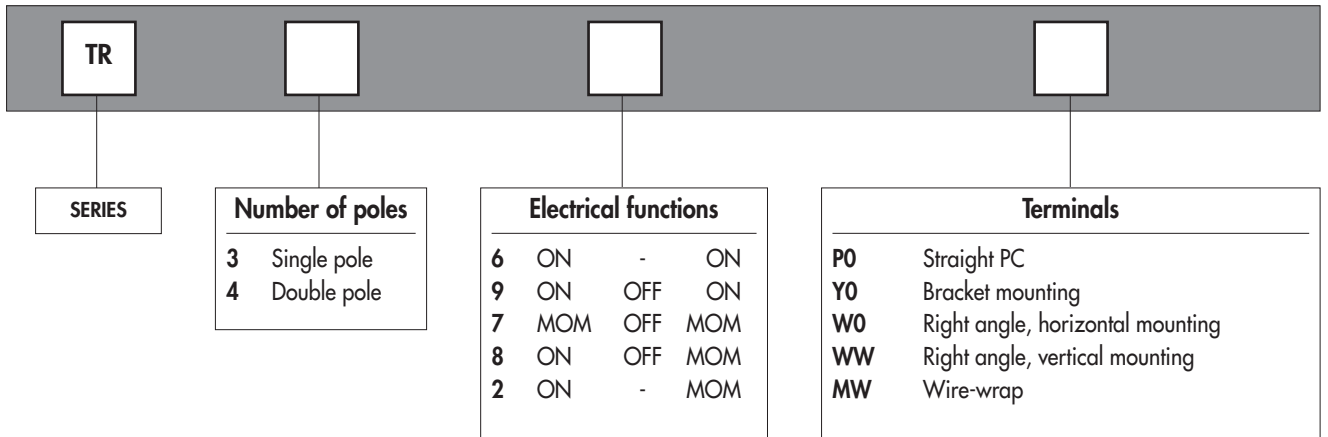
- Strength of terminals : pull-out force - 10N max.
- Operating temperature : -30°C to +85°C
- Moisture : 21 days 95 % (NFC 20-603 - IEC 68-2-3)
- Cleaning : solvents or water + detergent
- Wave soldering : 260°C - 5 sec.

The company reserves the right to change specifications without notice.

TR series

Tiny washable rocker switches

Overview



ABOUT THIS SERIES

On the following pages, you will find successively :

- model structure of switches
- options in the same order as in above chart

Dimensions : first dimensions are in mm while inches are shown as bracketed numbers.



NOTICE : please note that not all combinations of above numbers are available. Refer to the following pages for further information.

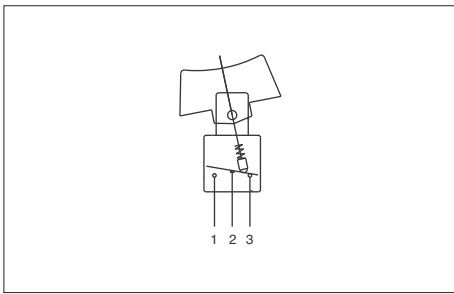


Packaging unit : 50 pieces.

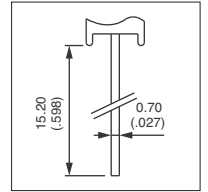
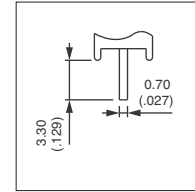
TR series

Tiny washable rocker switches

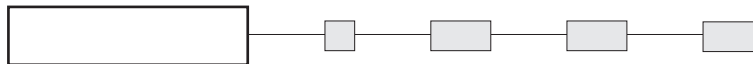
MODEL
STRUCTURE



- Straight PC, right angle or wire-wrap terminals
- 1 and 2 pole configurations



MODEL
STRUCTURE



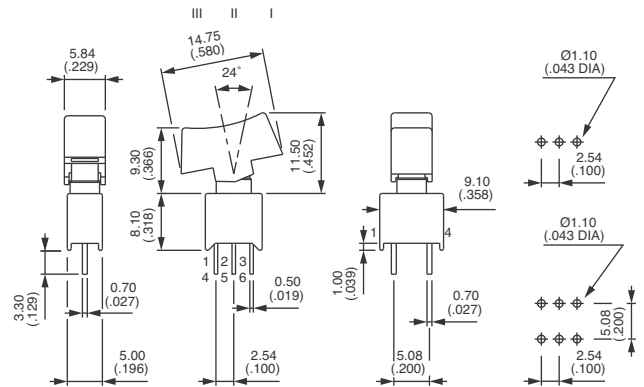
Shown with small rocker (code 10)

Straight PC terminals : TR..PO



	Single pole	Double pole
TR36PO	ON	ON
TR39PO	ON	OFF
TR37PO	MOM	OFF
TR38PO	ON	OFF
TR32PO	ON	MOM
TR46PO	ON	ON
TR49PO	ON	OFF
TR47PO	MOM	OFF
TR48PO	ON	OFF
TR42PO	ON	MOM

III	II	I
ON	-	ON
ON	OFF	ON
MOM	OFF	MOM
ON	OFF	MOM
ON	-	MOM

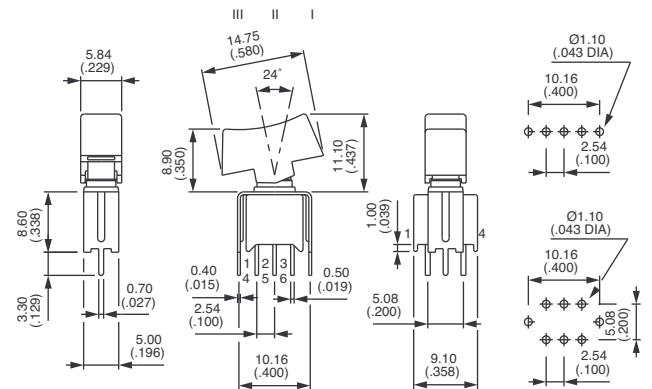


Straight terminals - bracket mounting : TR..YO



	Single pole	Double pole
TR36YO	ON	ON
TR39YO	ON	OFF
TR37YO	MOM	OFF
TR38YO	ON	OFF
TR32YO	ON	MOM
TR46YO	ON	ON
TR49YO	ON	OFF
TR47YO	MOM	OFF
TR48YO	ON	OFF
TR42YO	ON	MOM

III	II	I
ON	-	ON
ON	OFF	ON
MOM	OFF	MOM
ON	OFF	MOM
ON	-	MOM

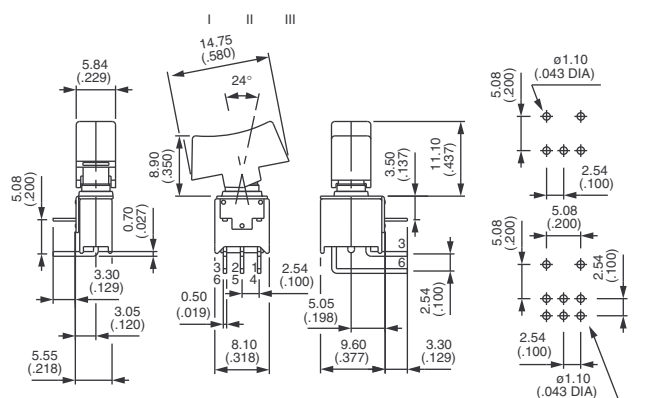


Right angle terminals - horizontal mounting : TR..WO



	Single pole	Double pole
TR36WO	ON	ON
TR39WO	ON	OFF
TR37WO	MOM	OFF
TR38WO	ON	OFF
TR32WO	ON	MOM
TR46WO	ON	ON
TR49WO	ON	OFF
TR47WO	MOM	OFF
TR48WO	ON	OFF
TR42WO	ON	MOM

III	II	I
ON	-	ON
ON	OFF	ON
MOM	OFF	MOM
ON	OFF	MOM
ON	-	MOM





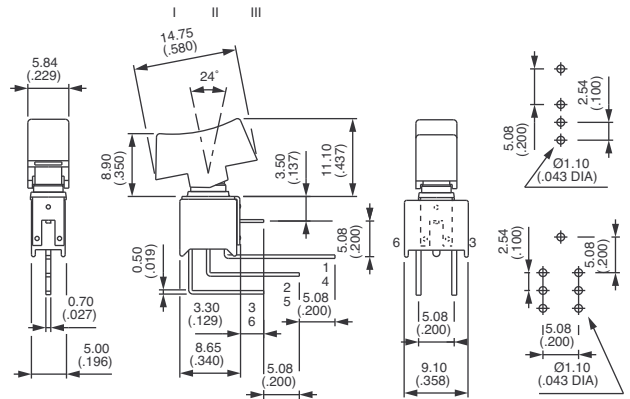
TR series

Tiny washable rocker switches

Right angle terminals - vertical mounting : TR..WW



	Single pole	Double pole	III	II	I
TR36WW	ON	-	ON		
TR39WW	ON	OFF	ON		
TR37WW	MOM	OFF	MOM		
TR38WW*	ON	OFF	MOM		
TR32WW*	ON	-	MOM		
TR46WW					
TR49WW					
TR47WW					
TR48WW*					
TR42WW*					

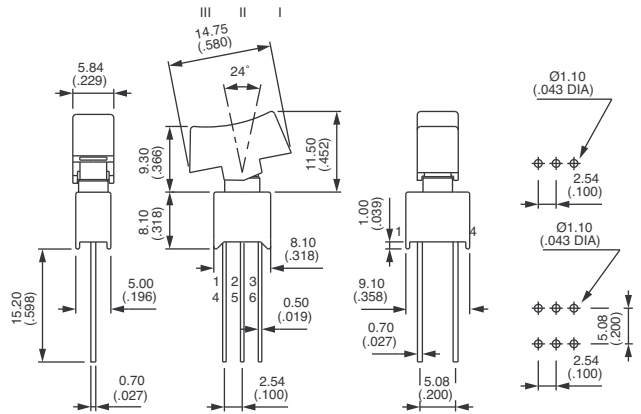


* Functions 2 and 8 : reversed connection available . Consult factory.

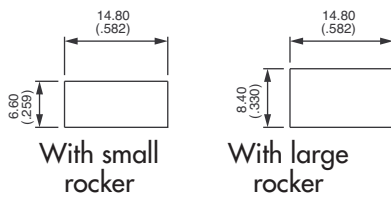
Wire-wrap terminals : TR..MW



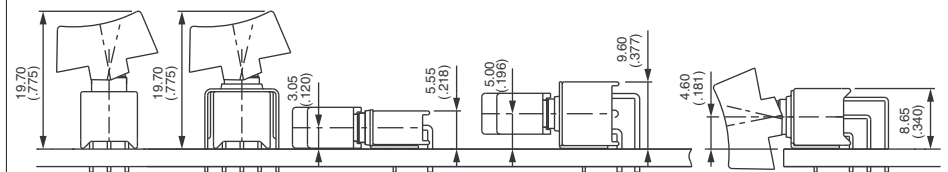
	Single pole	Double pole	III	II	I
TR36MW	ON	-	ON		
TR39MW	ON	OFF	ON		
TR37MW	MOM	OFF	MOM		
TR38MW	ON	OFF	MOM		
TR32MW	ON	-	MOM		
TR46MW					
TR49MW					
TR47MW					
TR48MW					
TR42MW					



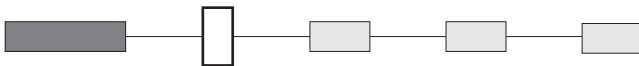
PANEL CUT-OUT



PCB MOUNTING



CONTACT AND TERMINAL MATERIALS



- 0 Brass, gold plated
- 1 Brass, silver plated
- 3 Brass, gold plated (1,27 micron gold)
- 8 Contact brass, gold plated + tin plated terminals
- 9 Contact brass, gold plated (1,27 micron gold) + tin plated terminals (single pole only)

CASE COLOUR



- 00 Blue

TR series

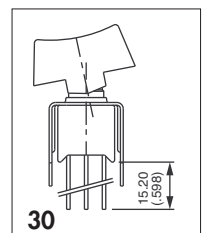
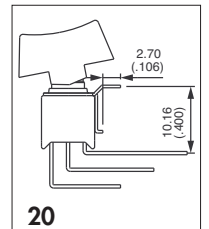
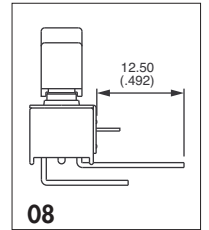
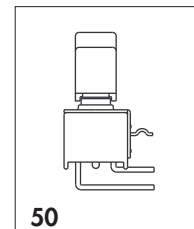
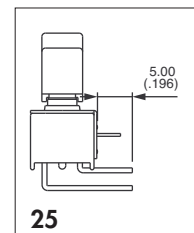
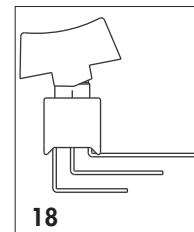
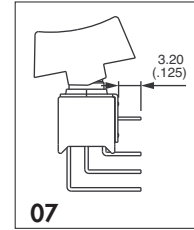
Tiny washable rocker switches



SPECIAL OPTIONS

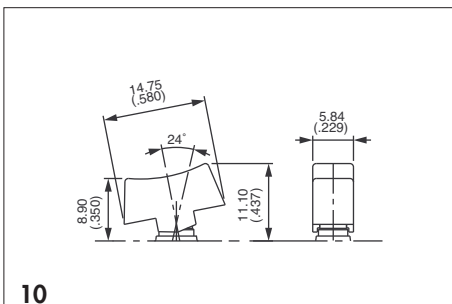
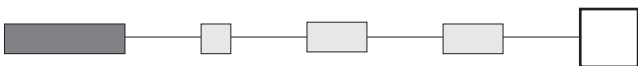


- 00 No special requirement
- 07 **Trimmed terminals** - length 3,2 mm (.125) for TR..WW models only
- 08 **Extended terminals** for TR..WO models only
- 18 Switch **without ground plate** for TR..WW models only
- 20 **Ground plate with 2 pins** for TR..WW models only
- 25 **Trimmed terminals** - length 5 mm (.196) for all models, except TR..WW
- 30 **Wire-wrap terminals** on models with mounting **bracket**
- 50 **Crimping of ground plate pins.**
Retains switch on PCB during handling and wave soldering.
For models TR..WO, TR..WW and TR..YO single and double pole.

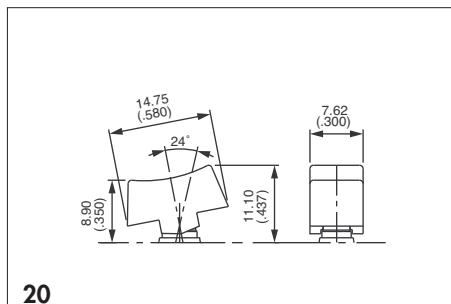


Marking on rocker : consult factory.

ROCKERS



10
Small



20
Large

Rocker colours	
Replace "0" by number	
1	blue
1/4	dark blue
2	black
3	green
4	grey
5	yellow
6	red
7	ivory
7/1	white
9	orange